

SOUTHERN ENTERPRISES INC.

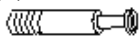



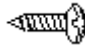
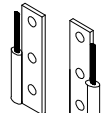

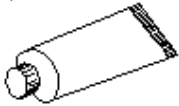
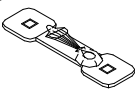





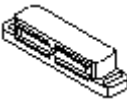
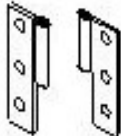

NOTE... This product has been engineered for easy assembly and constructed for durability.

Please take time to read and follow assembly instructions.

WINDOW PANE DOUBLE DOOR MEDIA CABINET

STYLE No.: MS1073 Cherry Finish., MS1074 Oak Finish

HARDWARE LIST

(1)  Cam Bolt 14 PCS	(2)  Cam Lock 14 PCS	(3)  Wood Dowel 22 PCS	(4)  Phillip Bolt 4PCS	(5)  Round Head Wood Screw 52 PCS	(6) Upward  6-L 6-R Side Panel Hinge 2 PCS EACH
(7)  Flat Head Wood Screw 28 PCS	(8)  Glue 1PC	(9)  Door Knob 2PCS	(10)  Shelf Support 16PCS	(11)  Plastic Sleeve 2PCS	(12)  Hanger 2PCS
(13)  Glass Holder 24PCS	(14)  Long Wood Screw 2PCS	(15)  Magnet 1PC	(16) Upward  16-L 16-R Door Hinge 2PCS EACH	(17)  "L" Iron 2pcs	

Please count, identify and compare parts and hardware list to be sure all parts are present. It may help to divide parts and label them to correspond with part list. Extra hardware may be included. If any items are missing, please contact our parts/service department at (800) 633-5096 or in Dallas (972) 869-0111/ 9am – 4pm Mon-Fri Central time. Missing or damaged hardware and/ or parts will be replaced free of charge. WE DO NOT SELL PARTS. WE DO NOT RECOMMEND MODIFYING PRODUCT (S) AND WE ARE NOT RESPONSIBLE FOR ANY DAMAGES DUE TO PRODUCT MODIFICATION (S). If this product has not been purchased from our retail affiliates (within 9 months), we are under no obligation to provide parts or replacement merchandise. We will ship parts if available. This is not a warranty.

Parts will not be available for items shipped fully assembled.

PARTS WILL BE SENT IF AVAILABLE FROM SEI

PARTS REPLACEMENT FORM

Style No. MS1073 Cherry Finish, MS1074 OAK Finish

Customer Name _____

PARTS
LETTER

PARTS
DESCRIPTION

QUANTITY
NEEDED

Street, City, State, Zip _____

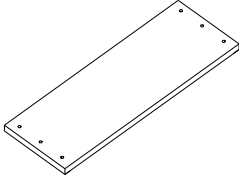
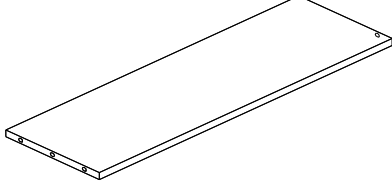
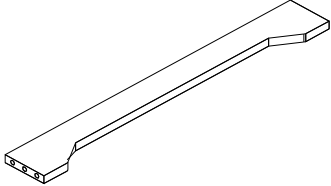
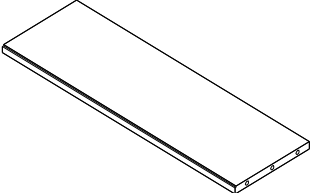
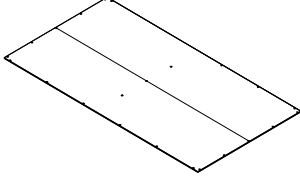
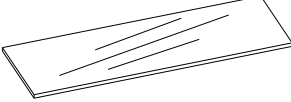
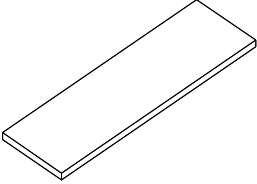
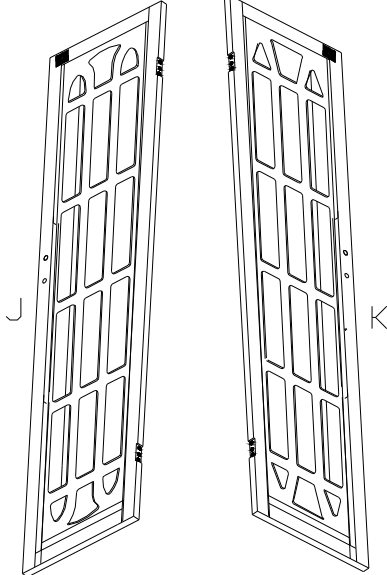
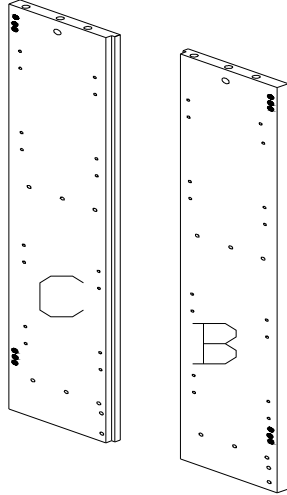
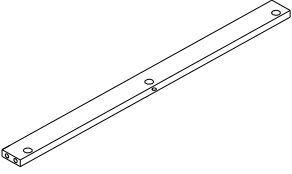


SOUTHERN ENTERPRISES INC.
600 Freeport Parkway, Suite 200
Coppell, Texas, 75019

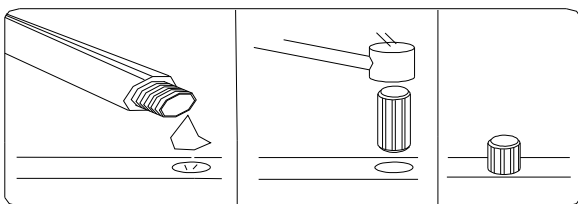
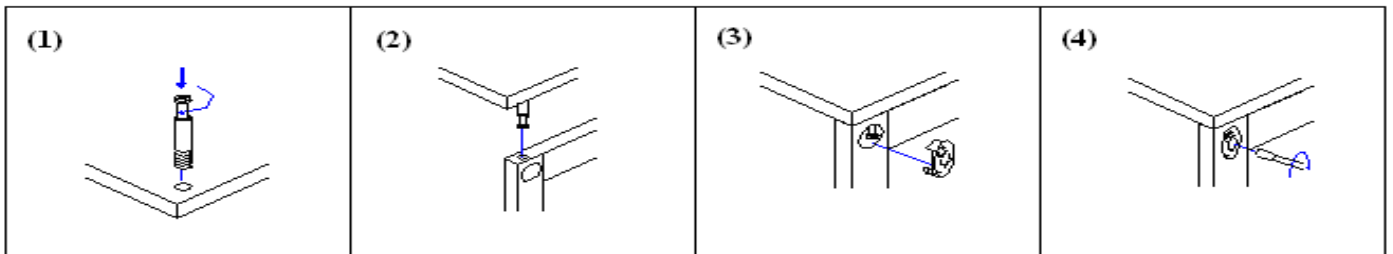
Please indicate where you purchased this item.
Store/ website/ catalog _____

Please indicate color/ size/ style number.
_____/_____/_____

WOOD PARTS

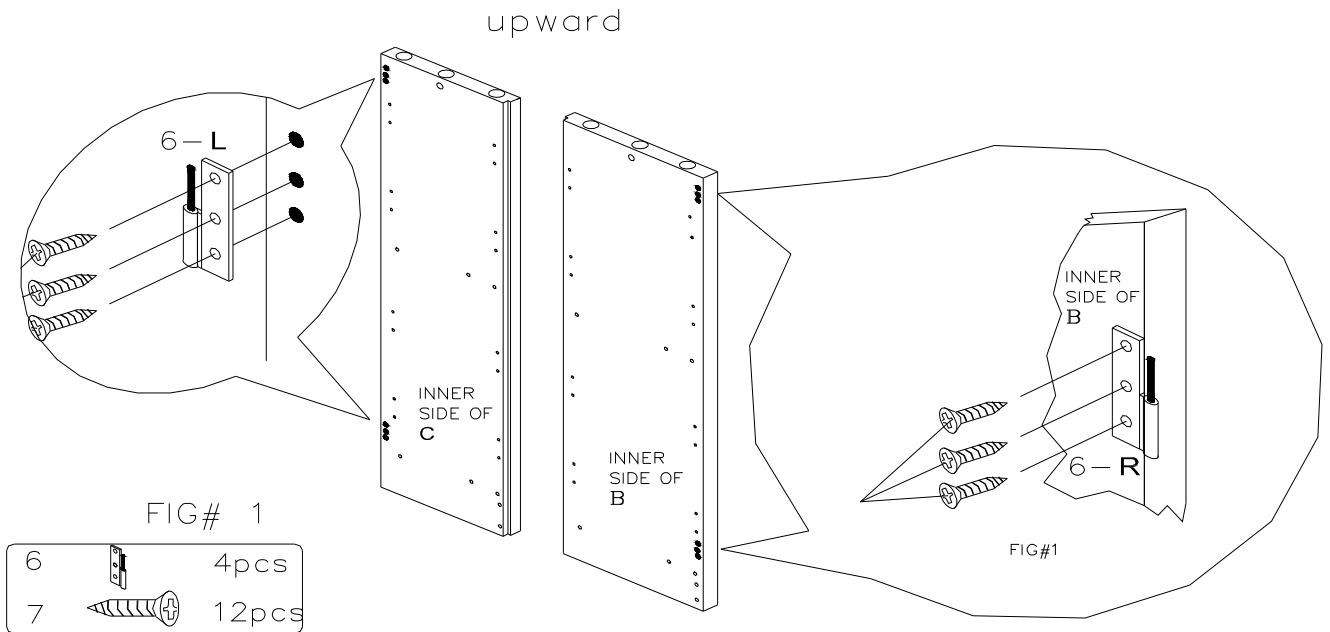
<p>A. Top Panel 1PC</p> 	<p>D. Center Panel 1PC</p> 	<p>E. Front Bottom Rail 1PC</p> 
<p>F. Bottom Panel 1PC</p> 	<p>G. Back Panel 2PC</p> 	<p>H. Door Glass 2PCS</p> 
<p>L. Adjustable Shelf 4PCS</p> 	<p>J. Left Door Frame 1PC K. Right Door Frame 1PC</p>  <p style="text-align: center;">INNER SIDE FACING UP VIEW</p>	<p>B. Right Side Panel 1PC C. Left Side Panel 1PC</p> 
<p>M. Bottom Strengthen Bar 1 PC N. Top Strengthen Bar 1 PC</p> 		

INSTALLATION PROCEDURE



APPLY GLUE 1/4 FULL INTO HOLES BEFORE PLACING ANY WOOD DOWELS INTO POSITION. Use rubber hammer only when needed.

ASSEMBLY INSTRUCTIONS



STEP#1 ATTACH Side panel hinges(6-L,6-R) TO Side panels(B&C).

PLACE BOTH SIDE PANELS (B)&(C) ON A SOFT SURFACE WITH INNER SIDES FACING UPWARD. THE 3 HOLES ON TOP ENDS OF BOTH SIDE PANELS (B)&(C) SHOULD BE UPWARD. (SEE FIG#1)

*IDENTIFY SIDE PANEL HINGES (6-R).

* INSERT Flat head wood screws (7) THROUGH HOLES ON SIDE PANEL HINGES (6-R) AND

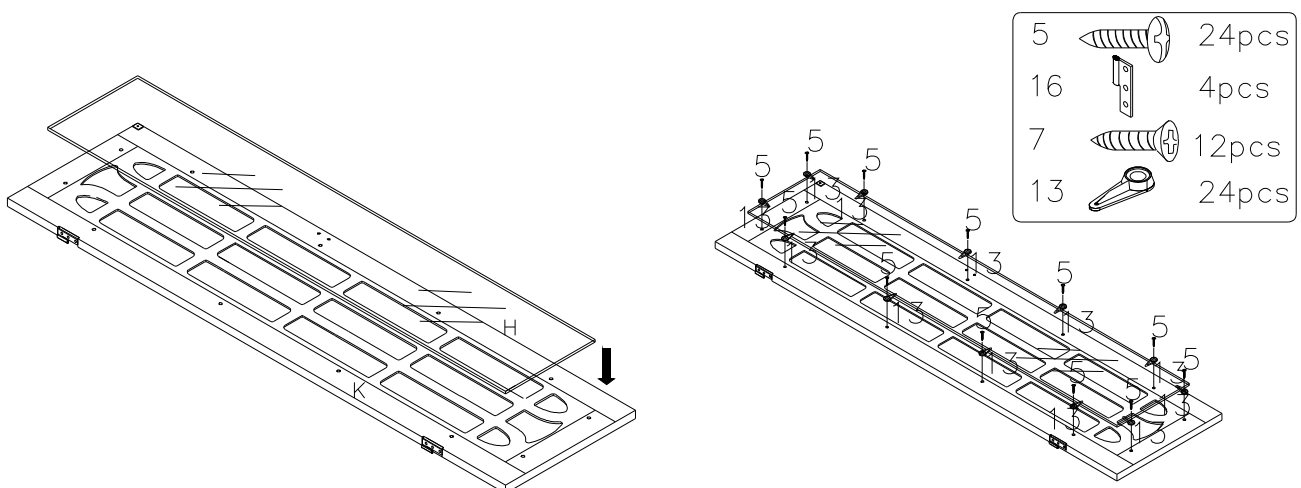
*TIGHTEN IT INTO PILOT HOLES ON UPPER AND LOWER END OF THE Right Side Panel (B). (PLEASE NOTE, THE DIRECTION OF HINGE SHOULD BE UPWARD AS SHOWN ON FIG#1)

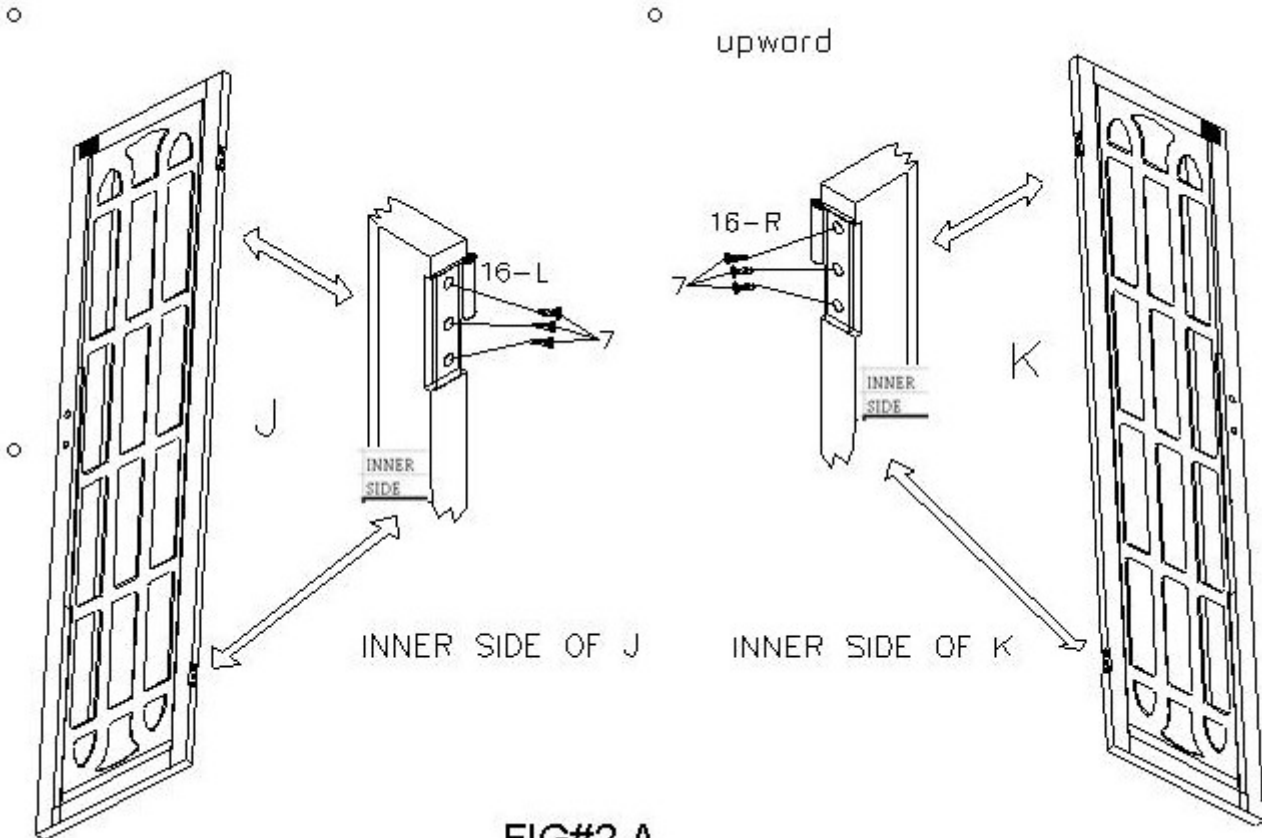
*IDENTIFY Side Panel Hinges (6-L).

*INSERT Flat Head Wood Screws (7) THROUGH HOLES ON Side Panel Hinges (6-L) AND

*TIGHTEN IT INTO PILOT HOLES ON UPPER AND LOWER ENDS OF THE Left Side Panel. (C). (SEE FIG#1)

FIG#2-B





FIG#2-A

STEP#2A ATTACH Door Hinges (16-L,16-R) TO Door frames(J&K)

PLACE RIGHT SIDE DOOR FRAME (K) ON A SOFT SURFACE WITH INNER SIDE FACING UPWARD. (SEE FIG# 2A)

*IDENTIFY Door Hinges (16-R).

*INSERT Flat Head Wood Screws (7) THROUGH HOLES ON Door Hinges (16-R) AND

*TIGHTEN IT INTO PILOT HOLES ON UPPER AND LOWER END OF THE Right Side Door Frame (K). (PLEASE NOTE, THE DIRECTION OF HINGE SHOULD BE UPWARD AS SHOWN ON FIG#2A)

*IDENTIFY Door Hinges (16-L).

*INSERT Flat Head Wood Screws (7) THROUGH HOLES ON Door Hinges (16-L) AND

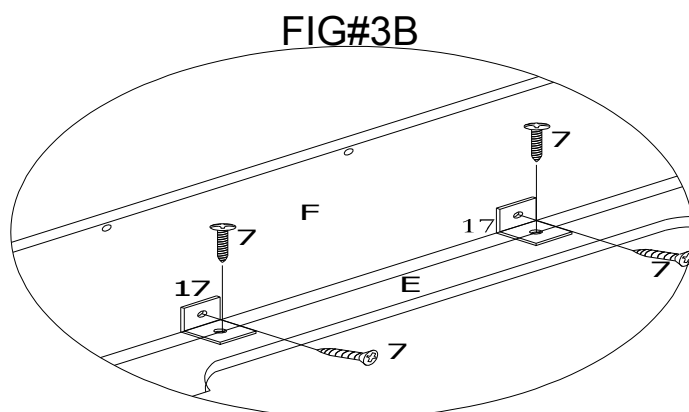
*TIGHTEN IT INTO PILOT HOLES ON UPPER AND LOWER END OF THE Left Door Frame Panel(J).

STEP#2B.ATTACH Door Glass (H) TO Door Frames (J&K)

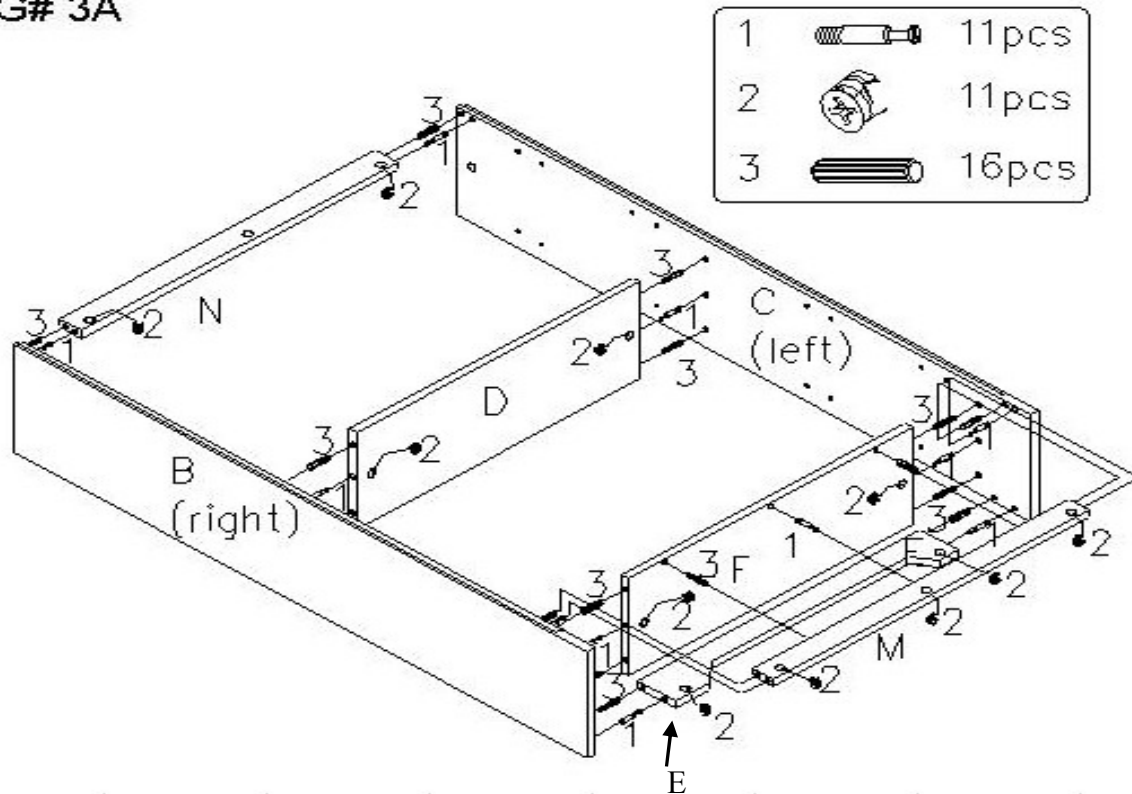
*PLACE Door Glass (H) TO INNER SIDES OF Door Frames (J & K).

*INSERT Round Head Wood Screws (5) THROUGH Glass Holders (13)

*AND TIGHTEN IT INTO PILOT HOLES ON Door FRAMES (J&K). (SEE FIG# 2B)



FIG# 3A

**STEP# 3A**

INSERT Wood Dowells(3) INTO HOLES ON FOLLOWING PARTS:

*BOTH ENDS OF Bottom Panel (F) AND BOTTOM SIDE OF BOTTOM PANEL (F)

**BOTH ENDS OF STRENGTHEN BARS (M & N), FRONT Bottom Rail (E), & CENTER PANEL (D).

***BOTTOM SIDE OF Top Panel (A)

****SCREW Cam Bolts (1) INTO PRE-INSERTED NUTS ON TOP PANEL (A)
AND BOTH Side Panels (B&C). **(See Fig#3A)**

ATTACH Front Bottom Rail (E) TO Right Side Panel (B).

*PUSH WOOD DOWELS (3) ON END OF FRONT Bottom Rail (E) INTO HOLES ON Right Side Panel (B). *INSERT Cam Locks (2) INTO HOLES ON Front Bottom Rail(E), THEN FASTEN TOGETHER BY *TIGHTENING Cam Locks (2) INTO Cam Bolts (1) ON Right Side Panel (B).

ATTACH BOTTOM STRENGTHEN BAR (M) TO BOTTOM PANEL (F).

*PUSH Wood Dowels (3) ON Bottom Panel (F) INTO HOLES ON Upper Side OF Bottom Strengthen Bar (M). *THEN, INSERT Cam Locks (2) INTO CENTER HOLES OF Bottom Strengthen Bar (M)

*FASTEN both parts TOGETHER BY TIGHTEN Cam Locks (2) INTO Cam Bolts (1) ON Bottom Panel(F).

ATTACH BOTTOM STRENGTHEN BAR (M) & BOTTOM PANEL (F) TO RIGHT SIDE PANEL (B).

*PUSH Wood Dowels (3) ON END OF both parts INTO HOLES ON Right Side Panel (B).

*INSERT Cam locks (2) INTO HOLES ON Bottom Panel (F) AND Bottom strengthen Bar (M)

*FASTEN TO Right Side Panel (B) BY TIGHTENING Cam Locks (2) TO Cam Bolts (1) ON Right SIDE Panel (B).

ATTACH CENTER PANEL (D) AND TOP STRENGTHENS BAR (N) TO RIGHT SIDE PANEL (B).

*PUSH Wood dowels (3) ON END OF both parts INTO HOLES ON Right Side Panel (B).

*INSERT Cam Locks (2) INTO HOLES ON Center Panel (D) AND Top Strengthens Bar(N),

FASTEN TO Right Side Panel (B) BY TIGHTEN Cam Locks (2) TO Cam Bolts (1) ON Right Side Panel (B).

(SEE FIG# 3A)

DUPLICATE ABOVE STEPS FOR LEFT SIDE PANEL (C).

STEP# 3B ATTACH both L-connector to Front Bottom Rail(E)&Bottom Panel (F). **Please insert through hole on Flat Head Wood Screw to tighten Front Bottom Rail (E)&Bottom Panel (F) together.
(SEE FIG#3B)

STEP #4A ATTACH both Door Frames (J&K) TO both Side Panels (B&C)

*ATTACH BOTH Door Frames (J&K) TO BOTH Side Panels (B&C) BY HOOKING Door Hinges (16) ONTO Side Panel Hinges (6). **(SEE FIG# 4)**

*INSERT Phillip Blots (4) THROUGH Door Frames (J&K) TO TIGHTEN Door Knobs(9) TO EACH Door Frames (J&K).

STEP# 4B ATTACH Top Panel(A) ONTO BOTH Side Panels(B&C)AND Top Strengthen Bar (N).

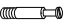






*FASTEN Magnet (15) TO PILOT HOLE ON Top Panel (A) WITH Round Head Wood Screw(5).

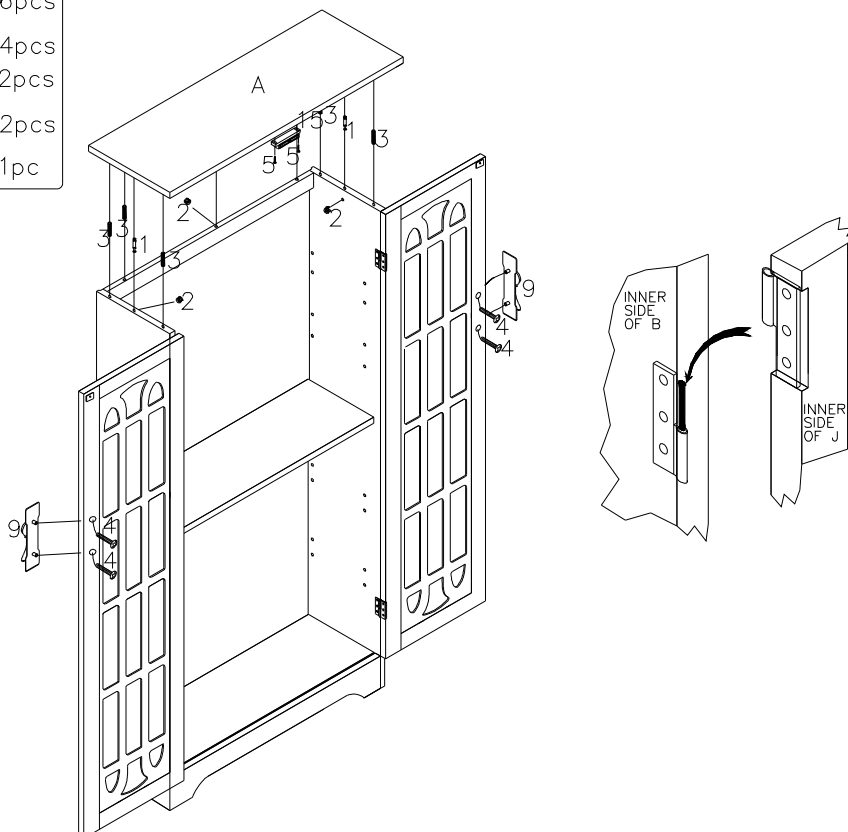
*ATTACH Top Panel (A) ONTO BOTH Side Panels (B & C) AND Top Strengthen Bar (N).**(SEE FIG#4)**

*PUSH DOWN CAM BOLTS (1) AND WOOD DOWELS (3) ON TOP PANEL (A) INTO HOLES ON TOP-END OF Side Panel (B & C) AND TOP STRENGTHEN BAR (N).

*INSERT Cam Locks (2) INTO HOLES ON INNER SIDE OF BOTH Side Panels (B & C) AND BACK SIDE OF TOP STRENGTHEN BAR (N). THEN FASTEN TOGETHER BY TIGHTEN Cam Locks (2) TO Cam Bolts(1)ON Top Panel (A) **(SEE FIG# 4)**

FIG#4

1		3pcs
2		3pcs
3		6pcs
4		4pcs
5		2pcs
9		2pcs
15		1pc



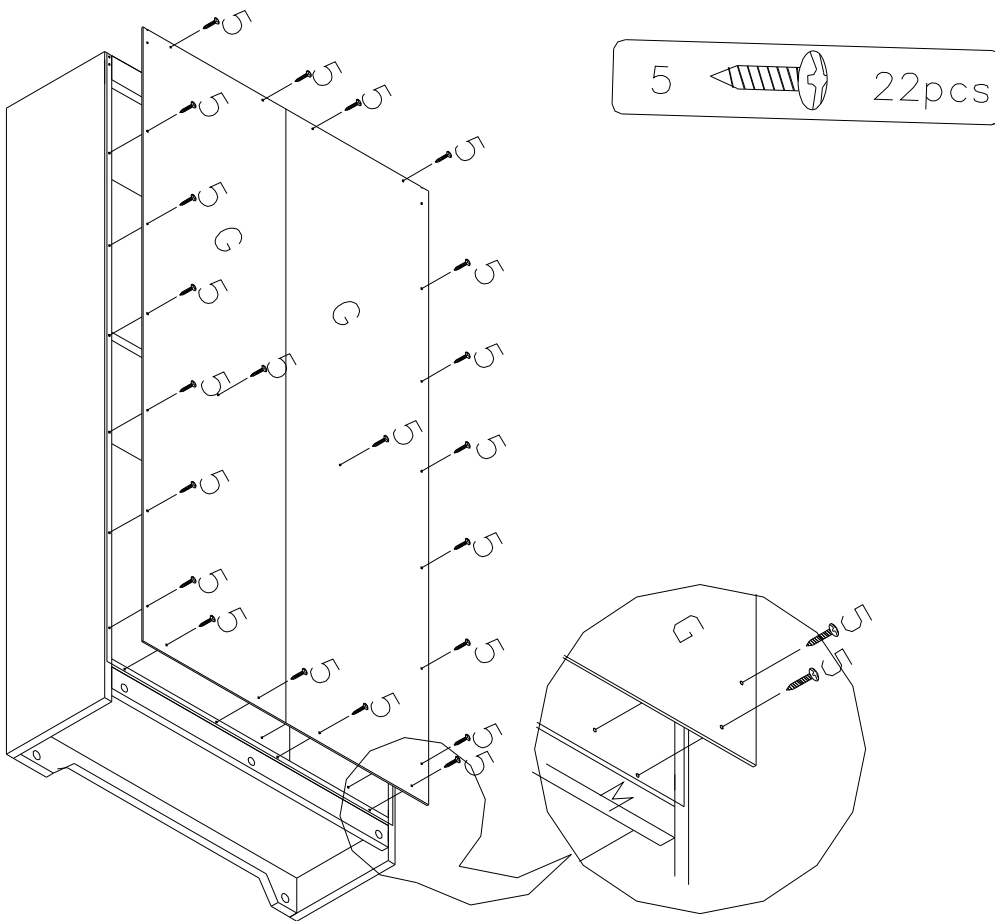
STEP #5. ATTACH Back Panel (G) TO BACK SIDE OF THE UNIT

*STAND THE UNIT UPRIGHT.

*PLEASE ATTACH BACK PANEL (G) TO POSITION.

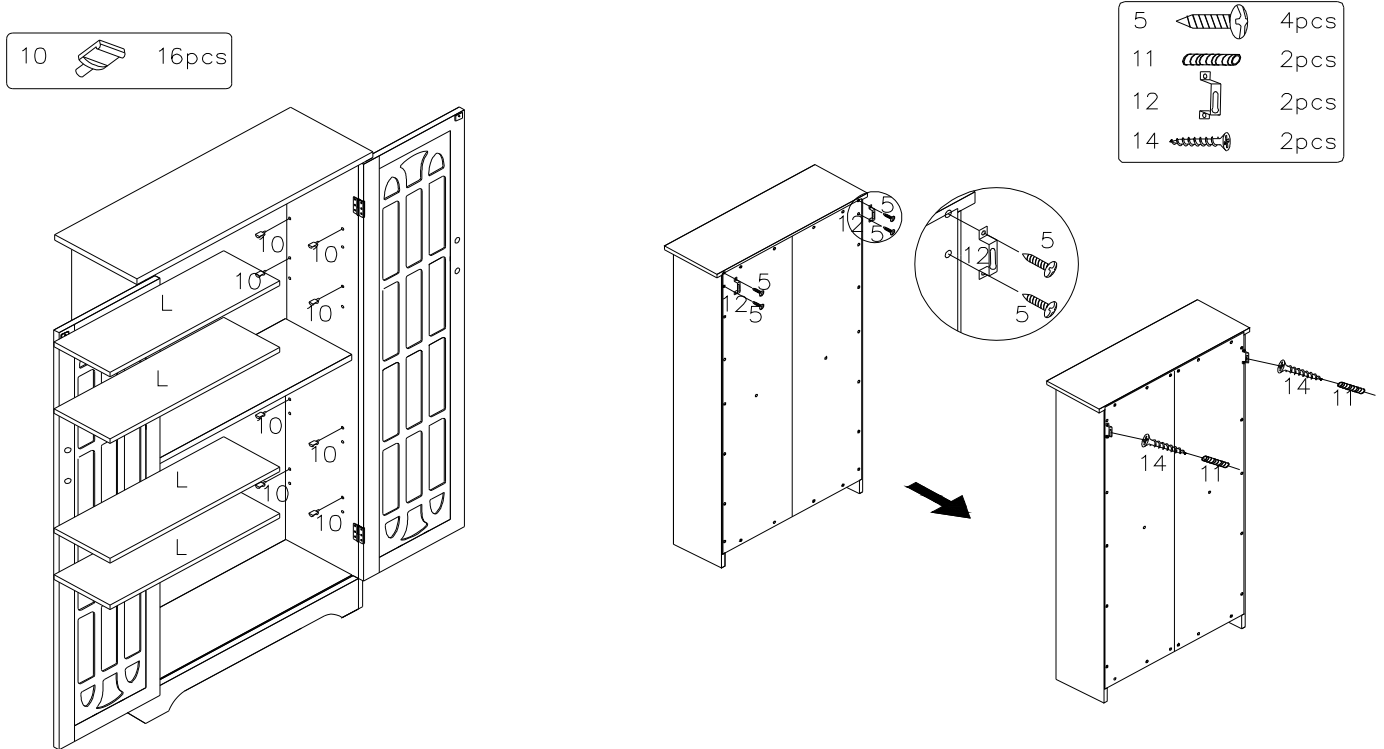
*THEN FASTEN BACK PANEL (G) TO Center Panel (D), AND BOTH Side Panels(B & C), AND Strengthen Bars (M & N), BY TIGHTENING Round Head Wood Screws (5) THROUGH HOLES ON Back Panel (G). (SEE FIG# 5)

FIG#5



STEP #6

INSERT Shelf Supports (10) TO INNER SIDES OF BOTH Side Panels (B&C), THEN PLACE Adjustable Shelf Panels (L) ONTO IT. (SEE FIG# 6)



FIG#6

FIG#7

STEP #7

Option:FIX THE UNIT TO WALL

*FASTEN HANGERS (12) TO BACKS OF BOTH Side Panel (B & C) WITH ROUND HEAD WOOD SCREWS (5).

**POSITION CABINET AGAINST FIXED WALL USING Plastic Sleeve (11) AND LONG WOOD SCREWS (14). (SEE FIG# 7)

YOUR BEAUTIFUL MISSION MEDIA CABINET IS FINISHED AND READY TO USE

THIS PRODUCT IS NOT INTENDED FOR COMMERCIAL USE.



SOUTHERN ENTERPRISES, INC

**600 Freeport Parkway Suite 200
Coppell Texas 75019**